



Technical data

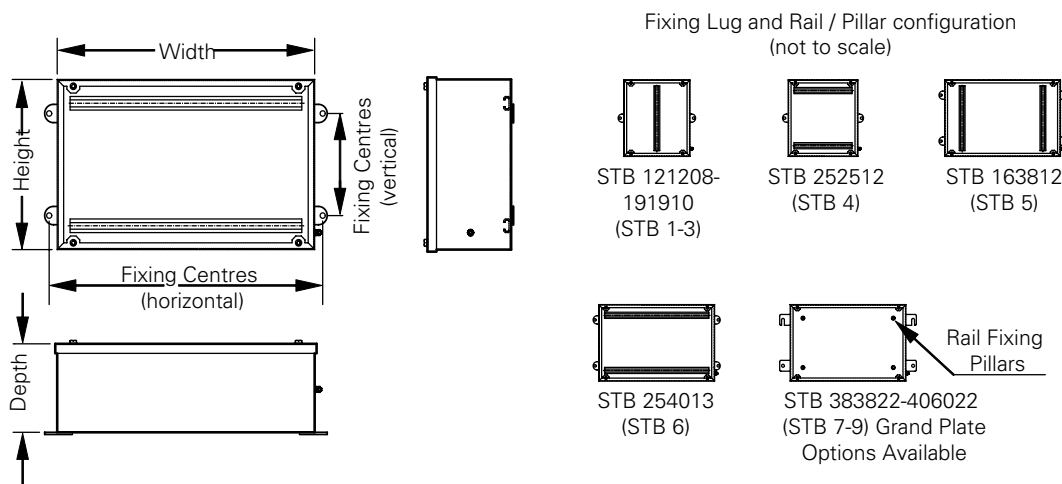
Type S-TB terminal boxes

Marking accd. to 2014/34/EU	⊕ II 2 G Ex e IIC Gb ⊕ II 2 D Ex tb IIIC Db
Temperature class	T6 up to +40 °C / T5 up to +55 °C
EC-Type Examination Certificate	BVS 13 ATEX E 015 U
Application temperature	-30 °C to +40 °C -40 °C to +55 °C (option)
IECEX Certificate of Conformity	IECEX BVS 13.0025U
Marking accd. to IECEx	Ex e IIC Gb Ex tb IIIC Db
Rated voltage	up to 690 V*
Rated current	up to 500 A*
Connecting terminals	up to 240 mm ² *
Protection class	I
Degree of protection accd. to EN 60529	IP66
Cable glands/gland plates/enclosure drilling	up to 4 side optional gland plate combination with entries to meet requirements (38/38/20 - 60/40/20) combination with entries to meet requirements
Type of mounting	S-TB 1 - S-TB 4 - 2 welded lugs with Ø 8 mm holes S-TB 5 - S-TB 6 - 4 welded lugs with Ø 8 mm holes S-TB 7 - S-TB 9 - 4 welded lugs with Ø 11 mm holes
Enclosure material	Stainless steel 316 L or 304
Material thickness	1.5 mm
Components mounting	S-TB 1 - S-TB 6 - internally welded TAS 20 rail for terminals mounting S-TB 7 - S-TB 9 - 4 x stand of pillars Ø 9 mm, 25 mm height, thread M6 x 10, for rail or mounting plate
Enclosure earth	S-TB 1 - S-TB 6 - M6 external/internal earth stud assembly S-TB 7 - S-TB 9 - M10 external/internal earth stud assembly
Gasket material	Silikon-gasket

* depending on type of terminal and Ex-components used

Additional certifications:
TR-CU and cULUs types 3S, 4, 4 x on request.

Dimension drawing



Dimensions in mm

S-TB-Ex-e terminal enclosures



S-TB



S-TB

Ordering details S-TB up to 3 x 51 terminals

S-TB Size	Dimensions ²⁾ H x W x D in mm	Fixing centres B _{vertical} ²⁾ mm x B _{horizontal} mm	Weight in kg (empty enclosure)	Terminal rail		Terminal content					
				Rail fixing centres		Rail length		Row orientation vertical			
				vert.	horiz.	vert.	horiz.	2.5 (6)	4 (6.5)	6 (8)	10 (10)
S-TB 1	120x120x 80	145	1.4	62		82		1x 8	1x 6	1x 5	1x 4
S-TB 2	150x150x 90	175	1.9	90		110		1x13	1x11	1x 8	1x 7
S-TB 3	190x190x100	215	3.0	130		150		1x21	1x18	1x13	1x10
S-TB 4	250x250x120	275	3.7	180		200		2x31	2x26	2x19	2x15
S-TB 5	160x380x120	80x405	3.7	300		320		1x55	1x46	1x34	1x28

Enclosure dimensions and terminal content

S-TB Size	Dimensions ²⁾ H x W x D in mm	Fixing centres B _{vertical} ²⁾ mm x B _{horizontal} mm	Weight in kg (empty enclosure)	Terminal rail		Terminal content					
				Rail fixing centres		Rail length		Row orientation vertical			
				vert.	horiz.	vert.	horiz.	2.5 (6)	4 (6.5)	6 (8)	10 (10)
S-TB 1	120x120x 80	145	1.4	62		82		1x 8	1x 6	1x 5	1x 4
S-TB 2	150x150x 90	175	1.9	90		110		1x13	1x11	1x 8	1x 7
S-TB 3	190x190x100	215	3.0	130		150		1x21	1x18	1x13	1x10
S-TB 4	250x250x120	275	3.7	180		200		2x31	2x26	2x19	2x15
S-TB 5	160x380x120	80x405	3.7	300		320		1x55	1x46	1x34	1x28

S-TB Size	Available glanding area			Max. entry guide (metric)						Order No. ³⁾	
	Top & bottom (with gland plates fitted) in mm	left	right	Top & bottom / left / right							
				M16	M20	M25	M32	M40	M50	M63	
S-TB 1	114x 63	114x 63	70x 63	7/7/4	3/3/1	2/2/1	2/2/1	–	–	–	STBS1121208
S-TB 2	144x 73	144x 73	100x 73	9/9/6	6/6/4	3/3/2	2/2/1	2/2/1	–	–	STBS1151509
S-TB 3	184x 83	184x 83	140x 83	18/18/14	8/8/6	7/7/5	3/3/2	2/2/2	2/2/1	–	STBS1191910
S-TB 4	244x103	244x103	200x103	32/32/26	18/18/14	10/10/8	7/7/6	3/3/3	3/3/2	2/2/2	STBS1252512
S-TB 5	372x103	154x103	330x103	50/20/44	29/11/24	15/6/14	12/4/10	5/2/5	4/1/4	3/1/3	STBS1163812

Gland entry detail

S-TB Size	Dimensions ²⁾ H x W x D in mm	Fixing centres B _{vertical} ²⁾ mm x B _{horizontal} mm	Weight in kg (empty enclosure)	Terminal rail		Terminal content				Order No. ³⁾		
				Rail fixing centres		Rail length		Row orientation vertical				
				vert.	horiz.	vert.	horiz.	2.5 (6)	4 (6.5)	6 (8)	10 (10)	
S-TB 1	114x 63	114x 63	70x 63	7/7/4	3/3/1	2/2/1	2/2/1	–	–	–	–	STBS1121208
S-TB 2	144x 73	144x 73	100x 73	9/9/6	6/6/4	3/3/2	2/2/1	2/2/1	–	–	–	STBS1151509
S-TB 3	184x 83	184x 83	140x 83	18/18/14	8/8/6	7/7/5	3/3/2	2/2/2	2/2/1	–	–	STBS1191910
S-TB 4	244x103	244x103	200x103	32/32/26	18/18/14	10/10/8	7/7/6	3/3/3	3/3/2	2/2/2	–	STBS1252512
S-TB 5	372x103	154x103	330x103	50/20/44	29/11/24	15/6/14	12/4/10	5/2/5	4/1/4	3/1/3	–	STBS1163812

Options

S-TB with gland 1 plate³⁾	STB <u>S</u> 1XXYYZZ 1	S-TB with additional UL CERT	STB <u>S</u> 1XXYYZZ UL
S-TB with gland 3 plate³⁾	STB <u>S</u> 1XXYYZZ 3		

Type	Order No.
------	-----------

Example

S-TB 2 with 3 gland plate and UL-certification	STBS1151509-UL
---	-----------------------

The information provided is based on the physical constraints of the enclosure. Please refer to the certificate for hazardous area applications.

Note: 1. Dimension drawing see page 2.2.51

2. Size S-TB 1 - S-TB 4 has only horizontal fixing lugs (2)

3. Only this types includes UL-Certification and can be ordered with 1 or 3 gland plates

4. Refer to „OPTIONS“ for ordering key



S-TB

2

Ordering details S-TB up to 5 x 79 terminals

S-TB Size	Dimensions ²⁾ H x W x D in mm	Fixing centres B _{vertical} mm x B _{horizontal} mm	Weight in kg (empty enclosure)	Terminal rail		Rail length		Terminal content			
				Rail fixing centres vert.	horiz.	vert.	horiz.	Row orientation vertical			
								2.5 (6)	4 (6.5)	6 (8)	10 (10)
S-TB 6	250x400x130	150x425	5.4	180		200		3x31	3x26	3x19	3x15
S-TB 7²⁾	380x380x220	250x435	8.5	280		300		3x42	3x39	3x32	3x25
S-TB 8	480x480x200	340x535	10.5	380		400		4x61	4x56	4x46	4x36
S-TB 9²⁾	600x400x220	464x456	13.0	500		520		5x79	5x73	5x59	5x47

Enclosure dimensions and terminal content

S-TB Type	Available glanding area (with gland plates fitted) in mm			Max. entry guide (metric) Top & bottom / left / right							Order No. ³⁾
	Top & bottom	left	right	M16	M20	M25	M32	M40	M50	M63	
S-TB 6	394x113	244x113	350x113	54/32/48	30/18/26	16/10/14	13/7/11	6/3/5	5/3/4	4/2/3	STBS1254013
S-TB 7²⁾	374x203	374x203	324x203	100/100/88	57/57/48	40/40/33	24/24/20	15/15/12	8/8/7	6/6/5	STBS13838220
S-TB 8	474x183	474x183	474x183	124/124/118	78/78/74	54/54/50	30/30/28	20/20/18	11/11/9	10/10/8	STBS14848200
S-TB 9²⁾	337x124	337x124	337x124	108/164/152	60/93/84	40/65/60	26/40/38	17/26/23	9/14/13	7/11/10	STBS16040220

Options

S-TB with gland 1 plate²⁾	STB <u>S</u> 1XXYYZZ <u>1</u>	S-TB with additional UL CERT	STB <u>S</u> 1XXYYZZ <u>UL</u>
S-TB with gland 3 plate²⁾	STB <u>S</u> 1XXYYZZ <u>3</u>		

Type	Order No.
Example S-TB 7 316L SS with 3 gland plate incl. UL-certification	STBS13838223

The information provided is based on the physical constraints of the enclosure. Please refer to the certificate for hazardous area applications.

- Note: 1. Dimension drawing see page 2.2.51
 2. Only this types includes UL-Certification and can be ordered with 1 or 3 gland plates
 3. Refer to „OPTIONS“ for ordering key