

## GUB empty enclosures



GUB 00



GUB 20



GUB 30

### Technical data

#### Ex d light alloy enclosure GUB

|  |   |
|--|---|
| Marking accd. to 2014/34/EU            | ⊕ II 2 G Ex d IIC Gb<br>⊕ II 2 D Ex t IIIC Gb       |
| EC-Type Examination Certificate        | LOM 03 ATEX 3107U                                   |
| Permissible ambient temperature        | -20 °C up to +40 °C<br>-60 °C up to +55 °C (option) |
| Rated voltage                          | 690 V   |
| Rated current                          | max. 250 A  |
| Protection class                       | I   |
| Degree of protection accd. to EN 60529 | IP67  |
| Cable glands/enclosure drilling        | <sup>1)</sup>                                       |
| Dimensions (L x W x H)                 | <sup>1)</sup>                                       |
| Weight                                 | <sup>1)</sup>                                       |
| Enclosure material                     | copper-free aluminium                               |
| Enclosure colour                       | Polyester finish grey                               |

<sup>1)</sup> see table

### Ordering details

| Type   | Power dissipation <sup>1)</sup> |             |           | Rated current<br>max. | Weight<br>approx. | Order No.                  |
|--|---------------------------------|-------------|-----------|-----------------------|-------------------|----------------------------|
|  | T6                              | T5          | T4        |                       |                   |                            |
| <b>Ex d light alloy empty enclosures GUB</b> |                                 |             |           |                       |                   |                            |
| GUB 00                                       | 60                              | 85          | 150       | 60 A                  | 3.20 kg           | <b>NOR 000 001 160 116</b> |
| GUB 20                                       | 100                             | 145         | 255       | 150 A                 | 6.20 kg           | <b>NOR 000 001 160 124</b> |
| GUB 30                                       | 140                             | 200         | 360       | 250 A                 | 10.20 kg          | <b>NOR 000 001 160 132</b> |
| <b>Type</b>                                  | <b>1/2"</b>                     | <b>3/4"</b> | <b>1"</b> | <b>1 1/4"</b>         | <b>1 1/2"</b>     | <b>2"</b>                  |

#### Max. entries per side

|        |    |   |   |   |   |   |   |
|--------|----|---|---|---|---|---|---|
| GUB 00 | 4  | 3 | 2 | 2 | 2 | – | – |
| GUB 20 | 6  | 5 | 3 | 2 | 2 | 1 | 1 |
| GUB 30 | 10 | 8 | 5 | 3 | 3 | 2 | 2 |

<sup>1)</sup> Power dissipation to keep the temperature class only. Operating temperature of internal components has to be considered.

These enclosures can provide according to LOM 04 ATEX 2018 certification with the following electrical apparatus:

bus-bars, terminals, low voltage transformers, air circuit breakers, automatic circuit breakers, control and operations circuits, servomotors without ventilation, starters and ballasts for discharge lamps, electronic apparatus, associated SI apparatus, etc. according customer needs.



GUB 30

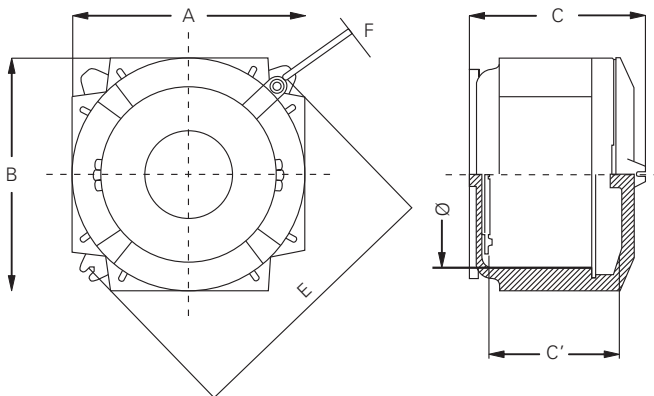


GUB 20



GUB 00

Dimension drawing



Ex d light alloy enclosure GUB

| Type   | External |     | C   | Internal |     | Mounting |    |
|--------|----------|-----|-----|----------|-----|----------|----|
|        | A        | B   |     | Ø        | C'  | E        | F  |
| GUB 00 | 170      | 170 | 135 | 125      | 74  | 210      | 9  |
| GUB 20 | 215      | 215 | 195 | 175      | 139 | 250      | 11 |
| GUB 30 | 333      | 333 | 180 | 295      | 120 | 370      | 11 |